

Single Actuator

# ilcoDrive CZ

## Fields of application

The most powerful single actuator in the ilcon portfolio for heavy duty applications. As all other *ilcon* components, this product is also certified to DIN EN 60601-1:2006 and is therefore the perfect solution for the health care market. Offering the option of flexible zinc die-casting forkheads and different motor and spindle combinations the actuator is adaptable to various environments – from regular nursing beds to bariatric beds to patient lifter applications.

**ilcon**  
LINEAR ACTUATOR CONCEPTS

## Product details

- Maximum force up to 10,000N in push and up to 4,000N in pull direction
- 2x 24V DC motors with permanent magnets
  - OPTION: 18V / 12V DC motors to achieve faster speeds
  - OPTION: DC motors with hall sensors for accurate positioning
- Anodized Aluminum pusher tube (Ø 30mm)
- Anodized Aluminum profile for highest stability even under maximum load
- Various spindle options to fit the application's requirements in regard to strength, speed and force
- PA 6.6 plastic housing to protect internal components
  - OPTION: flame retardant V0 material
- Pusher tube plastic forkhead with Ø 10mm holes
  - OPTION: different hole sizes and zinc diecasting forkhead
- Flexible housing zinc diecasting forkhead with Ø 10mm hole
- Integrated coiled cable (stretched length 1,500mm) with internal strain relief and LSP or DIN plug
  - OPTION: Different cable length and plugs
- Actuator housing and cables available in RAL 7035 (light grey) or RAL 9005 (black)
- Integrated high quality *Cherry* limit switches for highest safety requirements
- Robust yet elegant design with minimal installation length of 260mm
- Standard Protection class IPx4
- Different additional safety options available
  - OPTION: Mechanical quick release (CPR function)
  - OPTION: Additional Spindle Safety Nut in push direction
  - OPTION: Mechanical end stop for additional layer of safety
  - OPTION: Emergency lowering option available

- When connected to an *ilcoPower* control box the motor terminals of all *ilcoDrive* single actuators are short-circuited while not in use. In this manner, the actuator has an increased self-locking ability to prevent it from back driving under load. If the *ilcoDrive* is not connected to an ilcon control box the motor terminals must be shorted in order to provide this feature.

## Usage / Working conditions

- Duty cycle: Max. 10% (2 min ON, 18 min OFF), max 5 cycles per minute
- Relative humidity from 25% to 85% (no condensation)
- Ambient temperature from 5°C to 35°C
- Atmospheric pressure from 700hPa to 1060hPa (level of ≤3.000m)
- Avoid mechanical shocks and damage
- Do not store outside
- Store in dust-free environment

Full compliance with DIN EN 60601-1:2006



ilcon GmbH  
Linear Actuator Concepts  
Hertzstr. 1-3  
27318 Hoya  
Germany

Phone +49 4251 816610-10  
Fax +49 4251 816610-90  
www.ilcon-actuator.de  
info@ilcon-actuator.de

ilcon Actuator Corp.  
Linear Actuator Concepts  
11511 James Street  
Holland, MI 49424  
USA

Phone (616) 796-3235  
Fax (616) 738-6682  
www.ilcon-actuator.com  
info@ilcon-actuator.com

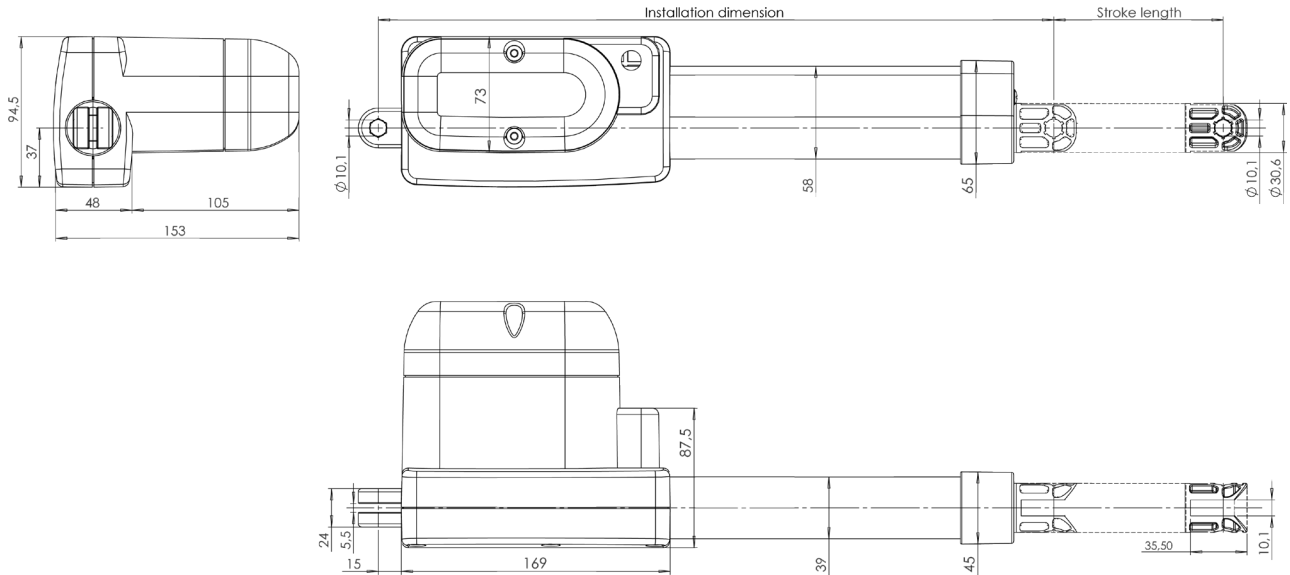
For more detailed data sheets, please contact our Sales Department. We would be pleased to provide a documentation according to your product specifications. Mistakes and printing errors excepted. If you have any questions, please do not hesitate to contact us. Dated: 05/2014

Single Actuator

# ilcoDrive CZ

**ilcon**  
LINEAR ACTUATOR CONCEPTS

## Dimensions (all in MM)



**ilcon GmbH**  
Linear Actuator Concepts  
Hertzstr. 1-3  
27318 Hoya  
Germany

Phone +49 4251 816610-10  
Fax +49 4251 816610-90  
www.ilcon-actuator.de  
info@ilcon-actuator.de

**ilcon Actuator Corp.**  
Linear Actuator Concepts  
11511 James Street  
Holland, MI 49424  
USA

Phone (616) 796-3235  
Fax (616) 738-6682  
www.ilcon-actuator.com  
info@ilcon-actuator.com

For more detailed data sheets, please contact our Sales Department. We would be pleased to provide a documentation according to your product specifications. Mistakes and printing errors excepted. If you have any questions, please do not hesitate to contact us. *Dated: 05/2014*