

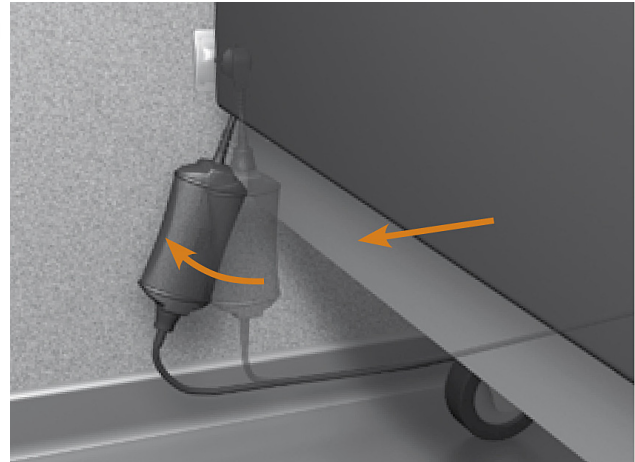
ilcoPower SMPS

Fields of application

The new ilcon 24V power supply for all medical products. As it separates the line voltage (110V to 240V) from the rest of the system the *ilcoPower SMPS* is safe and innovative. With its wide range input and the country specific plugs it also highly flexible and can be used with almost all *ilcoPower* control boxes as well as the *ilcoFlexx* double actuators.

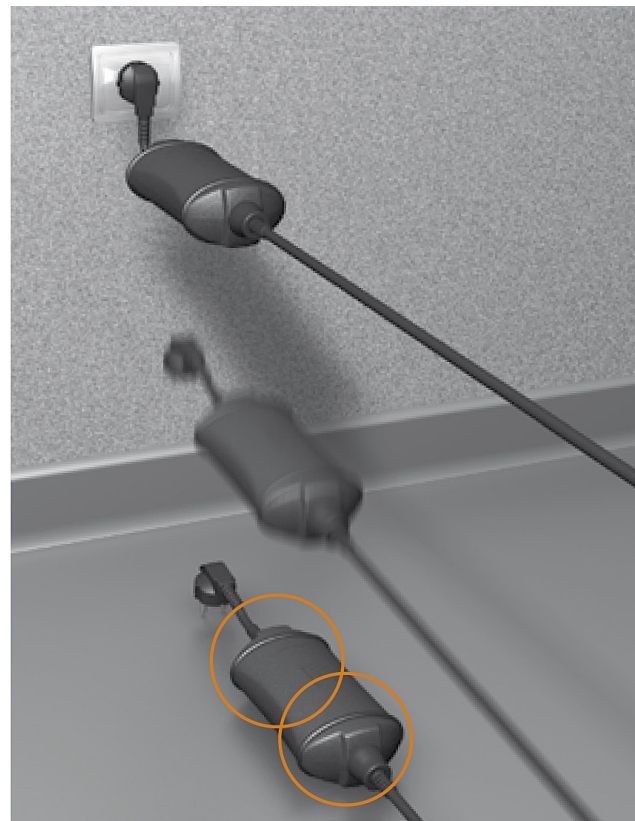
Product details

- Increased safety for the patient and caretaker as the line voltage is completely separated from the bed itself
- Increased protection against product damages can potentially lower the maintenance cost of nursing facilities or hospitals
- Highly adaptable to different regions worldwide:
 - Wide range input: 100V to 240V (50/60 Hz)
 - Individual country plug variants
- Output voltage: 32V
- Maximum current draw: 5.5A
- Standby-By consumption < 0.5W
- Protection class: IPx6
- Color RAL 9005 (black)

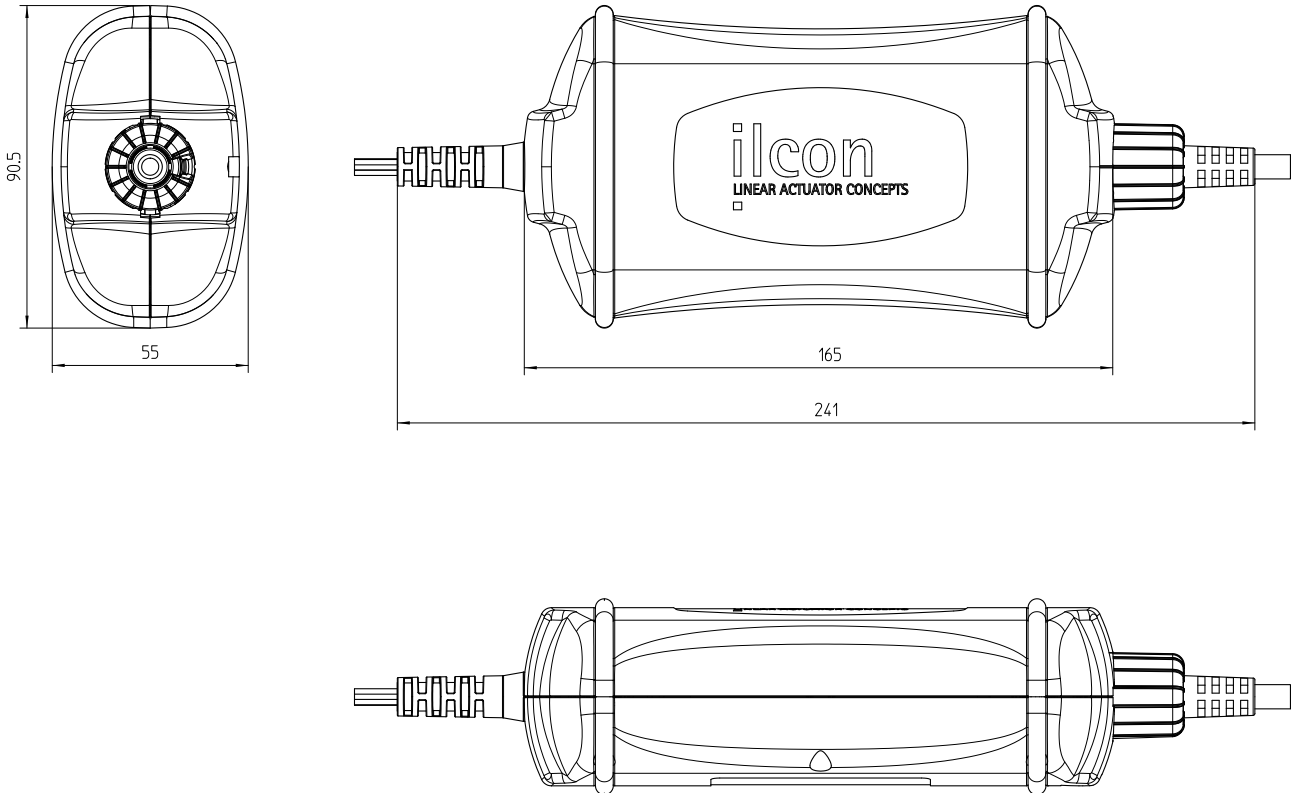


Protected against damages:

The *ilcoPower SMPS* is flexibly integrated into the cable. In this manner, damage to outlet and connector housings, damage which is caused by moveable objects such as beds bumping into the wall socket. And being designed as Drop/Fall proof to DIN EN 60601-2-52 the device is also greatly protected against occasional drops. Special damping rings protect the *ilcoPower SMPS* if it is accidentally pulled from the outlet.



Dimensions (all in MM)



Usage / Working conditions:

- Duty cycle: Max. 10% (2 min ON, 18 min OFF), max 5 cycles per minute
- Relative humidity from 25% to 85% (no condensation)
- Ambient temperature from 5°C to 35°C
- Atmospheric pressure from 700hPa to 1060hPa (level of $\leq 3.000\text{m}$)
- Avoid mechanical shocks and damage
- Do not store outside
- Store in dust-free environment

Full compliance with DIN EN 60601-1:2006