

ilcoFree

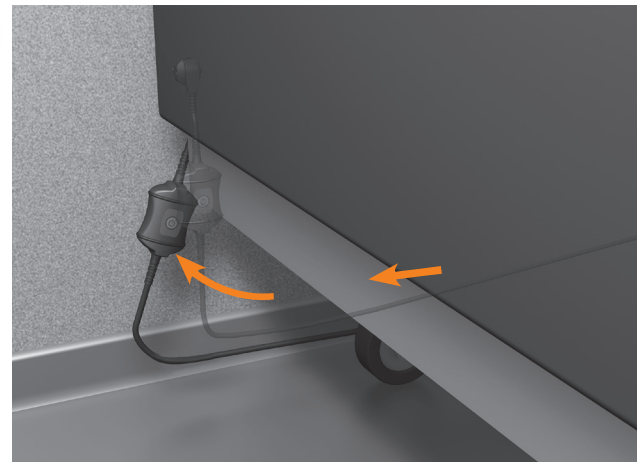
Fields of application

The *ilcoFree* is a maintenance-free, independent mains isolation that cuts the line voltage when the application is not in use. This complete separation of the patient's bed from the power supply results in 0.0W standby consumption and increased patient safety. Furthermore the duty cycle of the specific application can be increased while the cost of operation decreases. Since its optimized design approach damages due to collisions tend to zero.



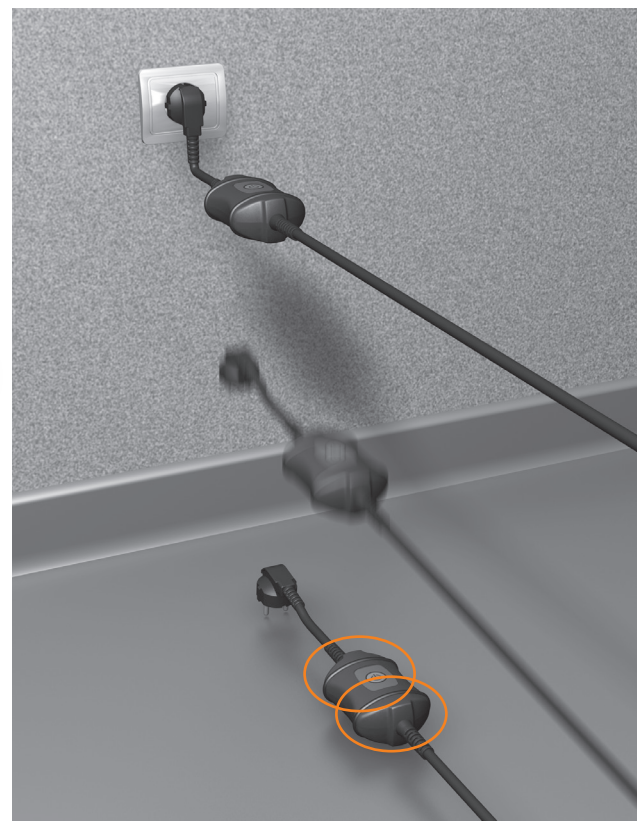
Product details

- Increased safety for the patient and caretaker as the net voltage is completely cut off if the bed is not in use.
- Increased protection against damages can potentially lower the maintenance cost of nursing facilities or hospitals.
- Disconnection of line voltage reduces energy cost and heat development of the system
- No electric field emission due to no power consumption in stand by
- Reduced power consumption in standby condition leads to increased product life
- Increased safety in potential misuse situation (e.g. higher duty cycle and heat related issues)
- Highly adaptable to different regions worldwide:
 - Wide range input: 100V to 240V (50/60 Hz)
 - Individual country plug variants.
- Available with Molex coupler connection
 - Damaged cables can be easily replaced
 - Lower maintenance cost
 - Integrated strain relief to save assembly time
- Standby-By consumption = 0.0W
- Protection class: IPx6
- Color RAL 9005 (black)

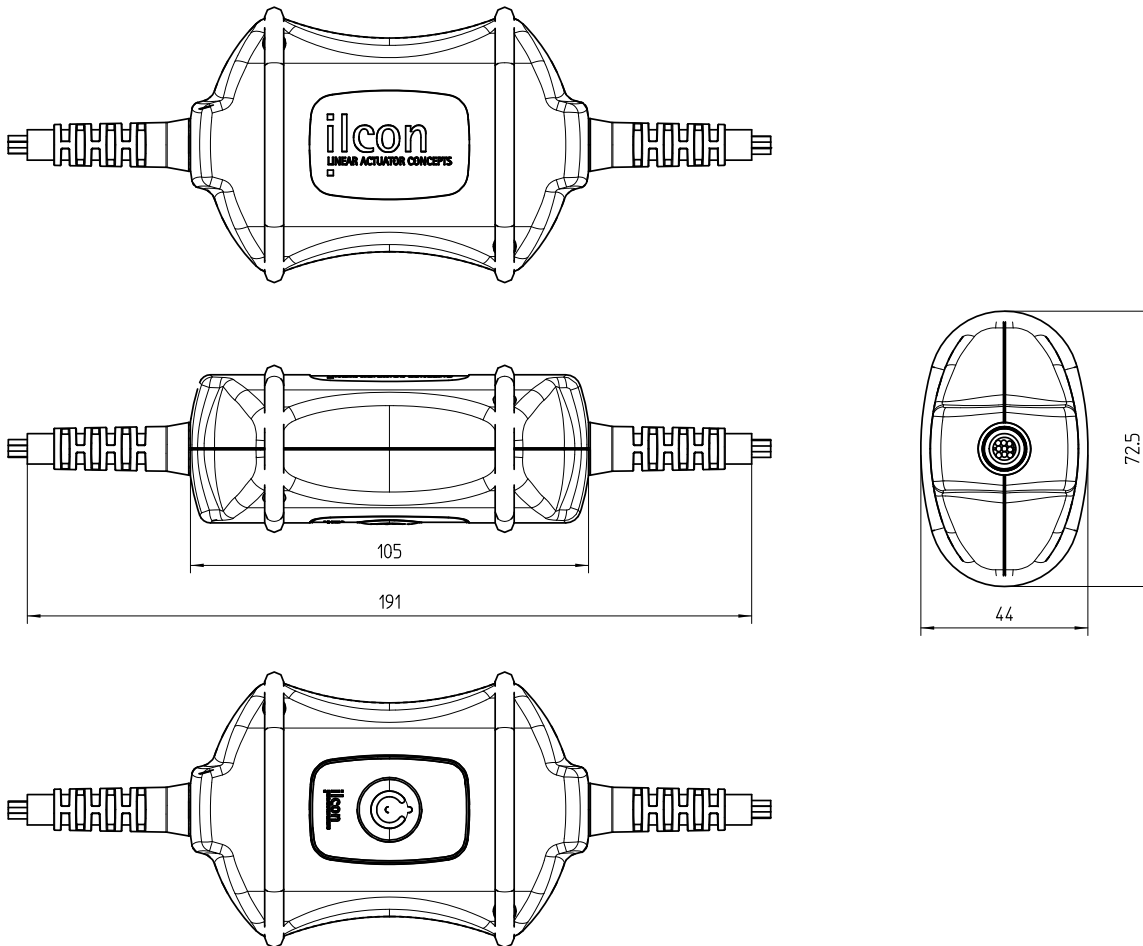


Protected against damages:

The *ilcoFree* is flexibly integrated into the cable. By this damaged outlets or connector housings are avoided that are caused by moveable objects such as beds bumping into the wall socket. And as being fall proof to DIN EN 60601-2-52 the device is also greatly protected against occasional drops. Special damping rings protect the *ilcoFree* if it is accidentally pulled from the outlet.



Dimensions (all in MM)



Usage / Working conditions

- Duty cycle: Max. 10% (2 min ON, 18 min OFF), max 5 cycles per minute
- Relative humidity from 25% to 85% (no condensation)
- Ambient temperature from 5°C to 35°C
- Atmospheric pressure from 700hPa to 1060hPa (level of ≤3.000m)
- Avoid mechanical shocks and damage
- Do not store outside
- Store in dust-free environment

Full compliance with DIN EN 60601-1:2006