

Single Actuator

# ilcoDrive OZ

## Fields of application

The powerful yet quiet single actuator solution for applications in homecare and hospital environments. As the product is certified to EN 60601-1:2017 it is the perfect solution for the health care market. With the flexibility of providing a 90° option on its lower forkhead the ilcoDrive OZ easily adjusts into different package situations.



## Standard model

- Up to max. 6000N Push
- Up to max. 4000N Pull
- Build in limit switches
- Reinforced polymer housing
- Optional CPR
- Optional MNA
- Optional POT / Hall
- Optional Only push option

## Recommended control system modules

- ilcoPower SMPS (Various options)
- ilcoControl Handset (Various options)

| Product details     |   |     |               |          |        |
|---------------------|---|-----|---------------|----------|--------|
| Parameter           | Comment   | Min | Typical       | Max      | Unit   |
| Supply voltage      |   |     | 24            | 35       | V      |
| Power consumption   | under nominal load 4000N                                    |     | 4,5A          | 7        | A      |
| Type of protection  |   |     | III           |          |        |
| Protection class    |   |     | IPX4          | IP66 (W) |        |
| Force               | Push  |     | 4000          | 6000     | N      |
| Force               | Pull  |     | 2000          | 4000     | N      |
| Stroke length       | Various options   |     |               | 500      | mm     |
| Connection options  |   |     | 2-PIN LS Plug |          |        |
| speed               | without load  |     | 5             |          | mm / s |
| speed               | with nominal load 4000N optional 6,3mm/s                    |     | 3,5           |          | mm / s |
| Color               | Light grey, black   |     | Light Grey    |          |        |
| Duty cycle          | Max 2 minutes continuous operation followed by 18 min. stop |     | 10            |          | %      |
| Storage temperature | non-condensing  | 0   |               | +40      | ° C    |
| Ambient temperature | non-condensing  | +5  |               | +35      | ° C    |
| Approvals           |   |     | CE, UL, CUL   |          |        |

### ilcon GmbH

Linear Actuator Concepts  
Hertzstr. 1-3  
27318 Hoya  
Germany

Phone +49 4251 816610-10  
www.ilcon.com  
info@ilcon.com

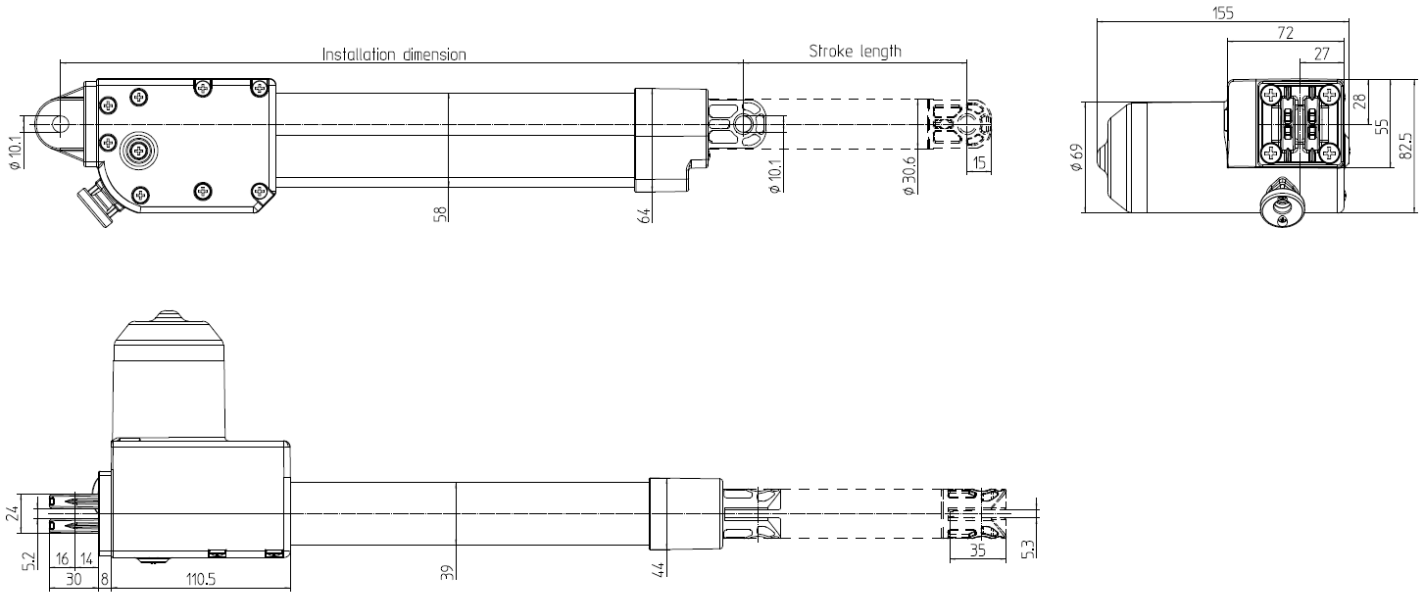
### ilcon Actuator Corp.

Linear Actuator Concepts  
11511 James Street  
Holland, MI 49424  
USA

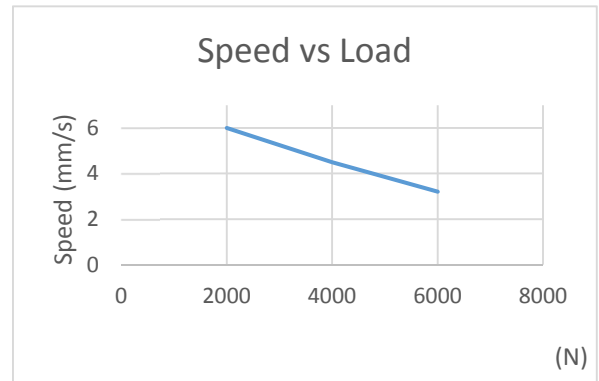
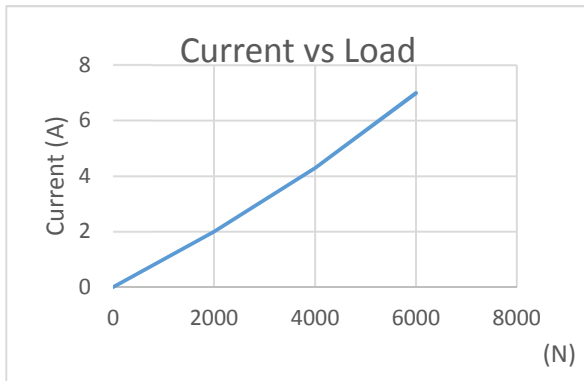
Phone (616) 796-3235  
www.ilcon.com  
info@ilcon.com

For more detailed data sheets, please contact our Sales Department. We would be pleased to provide a documentation according to your product specifications. Mistakes and printing errors excepted. If you have any questions, please do not hesitate to contact us.  
Dated: 06/2017

## Dimensional drawing



## Performance



## Order key

|     |     |      |      |     |     |
|-----|-----|------|------|-----|-----|
| ①   | ②   | ③    | ④    | ⑤   | ⑥   |
| XX- | XX  | XX   | XX   | XX  | X   |
| OZ- | GR- | 175- | 500- | 24- | A - |

(Example is preferred type)

|   |                              |   |
|---|------------------------------|---|
| ① | Type of drive                | OZ = ilcoDrive OZ                         |
| ② | Color of housing             | GR = grey RAL 7035<br>SW = black RAL 9005 |
| ③ | Installation dimension in mm | min. 175mm (+/- 2mm)                      |
| ④ | Stroke in mm                 | max. 500mm                                |
| ⑤ | Motor Voltage                | 12/18/24                                  |
| ⑥ | Push/pull                    | A = push-pull<br>B = only push            |

### ilcon GmbH

**Linear Actuator Concepts**  
Hertzstr. 1-3  
27318 Hoya  
Germany

Phone +49 4251 816610-10  
www.ilcon.com  
info@ilcon.com

### ilcon Actuator Corp.

**Linear Actuator Concepts**  
11511 James Street  
Holland, MI 49424  
USA

Phone (616) 796-3235  
www.ilcon.com  
info@ilcon.com

For more detailed data sheets, please contact our Sales Department. We would be pleased to provide a documentation according to your product specifications. Mistakes and printing errors excepted. If you have any questions, please do not hesitate to contact us.  
*Dated: 06/2017*