

ilcoLight UB4

Fields of application

The ilcoLight UB4 is great addition to the ilcon control systems as it provides light where it is most needed: Around the patient’s bed. Therefore the safety of the patients is greatly increased while the light does not disturb anyone. With its warm-light LED and its only marginal power consumption the ilcoLight UB4 is a great accessory to any ilcon system.

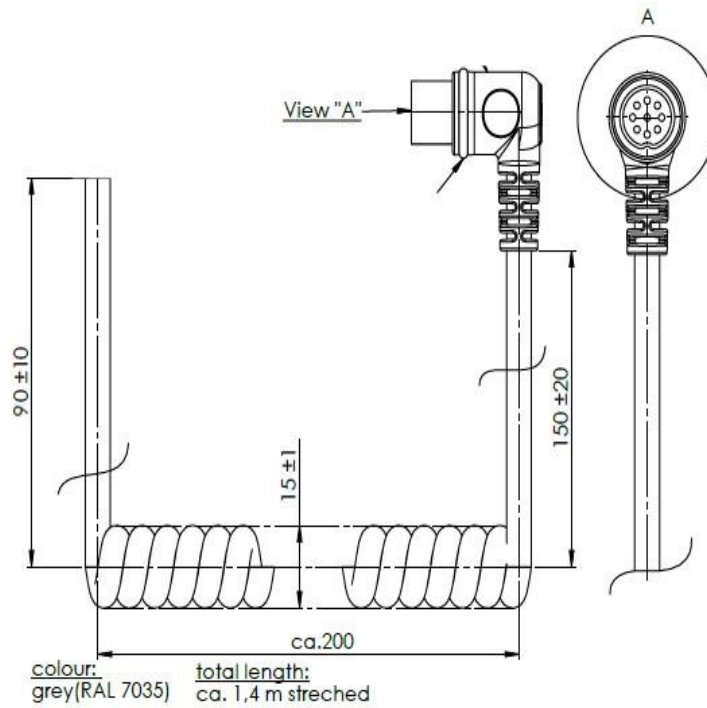
Advantages

- Input voltage 12VDC
- Power: 0,72W
- Emitting color: warm white
- Luminous flux total: 50lm

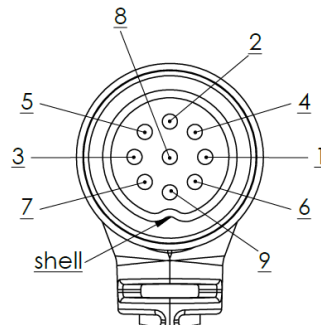


Product details					
Parameter	Comments	Min	Typical	Max	Unit
Supply voltage			12		VDC
Power				0,72	W
Color temperature (CCT)		3000		3500	K
Emitting color			warm white		
Luminous flux total			50		lm
CRI (RA)			<80		
Lifetime			50.000		h
Ambient temperature	non-condensing	-20		+60	° C
Storage temperature	non-condensing	-20		+60	° C
Relative humidity		30		70	%
Housing material	Aluminum and PC				
Housing length	150mm*12mm*10,5mm (exclusive end-capsize)				
IP Code			IP44		

Dimension drawing: Cable 01



Cable 01		
Pin	Colour	Function
1	dark green	GND
2	N/A	
3	N/A	
4	N/A	
5	red	12VDC
6	N/A	
7	N/A	
8	N/A	
9	N/A	
shell	beige	Switch ON/OFF 12VDC



Order key ilcoLight UB4		
Ask for more cables		
Cable version	Description	Order key
Cable 01	9pol plug grey RAL7035	409428

ilcon GmbH
Linear Actuator Concepts
 Hertzstr. 1-3
 27318 Hoya
 Germany

Phone +49 4251 816610-10
 www.ilcon.com
 info@ilcon.com

ilcon Actuator Corp.
Linear Actuator Concepts
 11511 James Street
 Holland, MI 49424
 USA

Phone (616) 796-3235
 www.ilcon.com
 info@ilcon.com

For more detailed data sheets, please contact our Sales Department. We would be pleased to provide a documentation according to your product specifications. Mistakes and printing errors excepted. If you have any questions, please do not hesitate to contact us.

Dated: 07/2019